



MIXOTOILE M6



3-FOLD



6 CM



POLYPROP-SLATS



OCCASIONAL



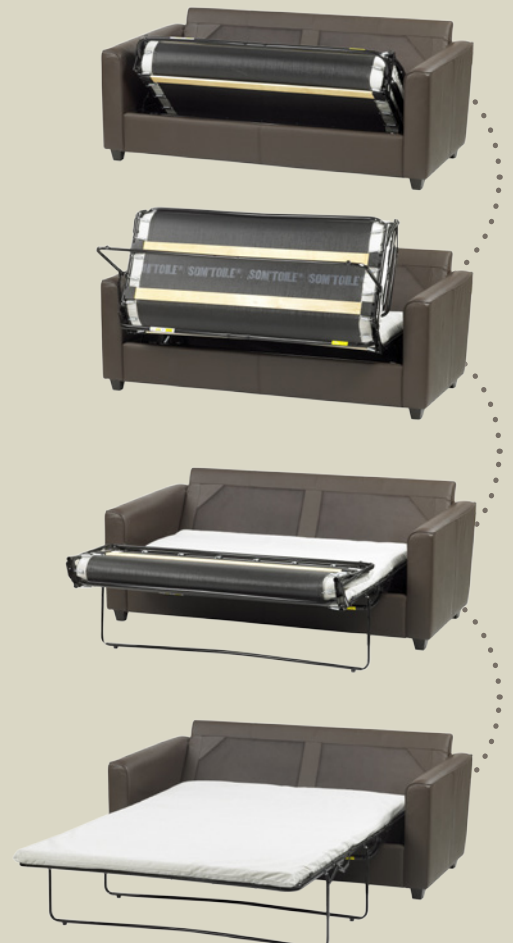
Mattress size

- Length: 183 cm
- Width: 73/83/93/113/133/143 cm

Product characteristics

- 3-fold action for a bed with 6 cm mattress in a compact sofa.
- Polyprop deck with 4 slats to prevent sagging of the action, especially in the areas where shoulders and hips are supported.

Manufactured by
Sedac



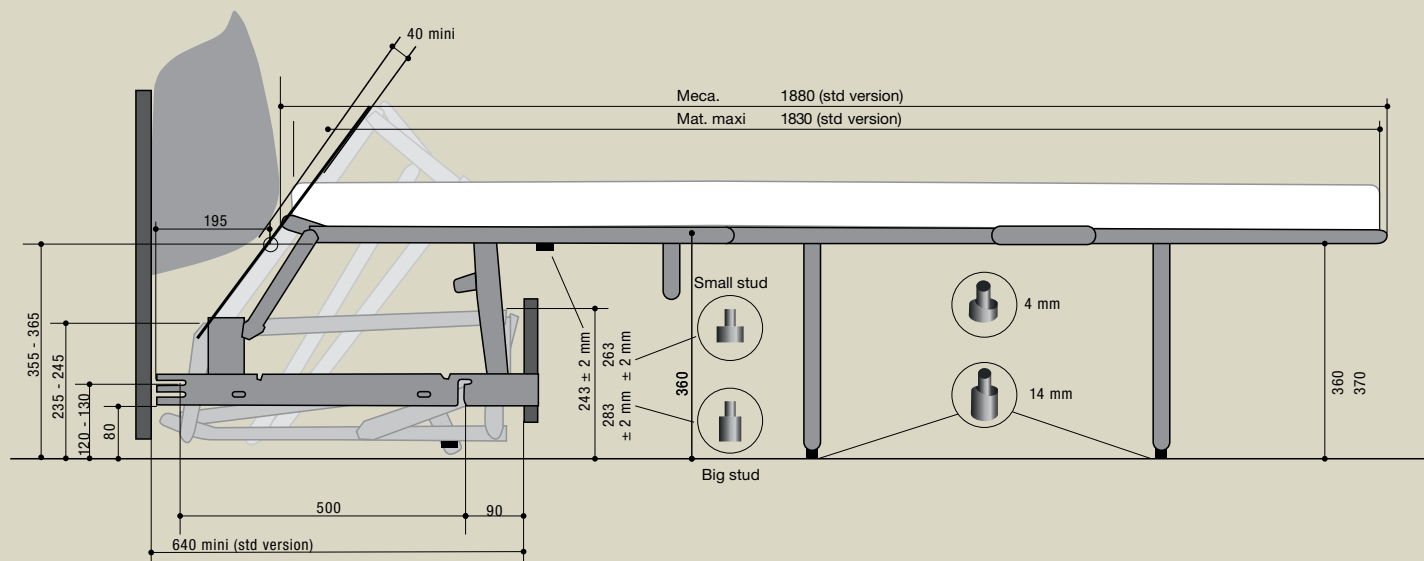
MIXOTOILE M6



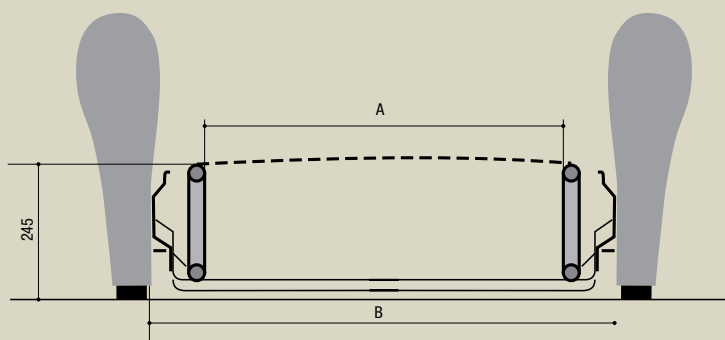
Standard Cosmolat slat cap.



Plastic legs of 80 mm, supplied as an option. The MixoToile also can be supplied with frame, a set of 2 tubes welded in between the side plates and pair of front panel fixation brackets.



Mechanism	Mattress A	B
80 cm	73 cm	92 cm
90 cm	83 cm	102 cm
100 cm	93 cm	112 cm
120 cm*	113 cm	132 cm
140 cm*	133 cm	152 cm
150 cm	143 cm	162 cm



Measurements in mm